



11mm Snap-in Insulated Potentiometers

RK114N



Part Number

RK114N – B 50K , L- 20 F

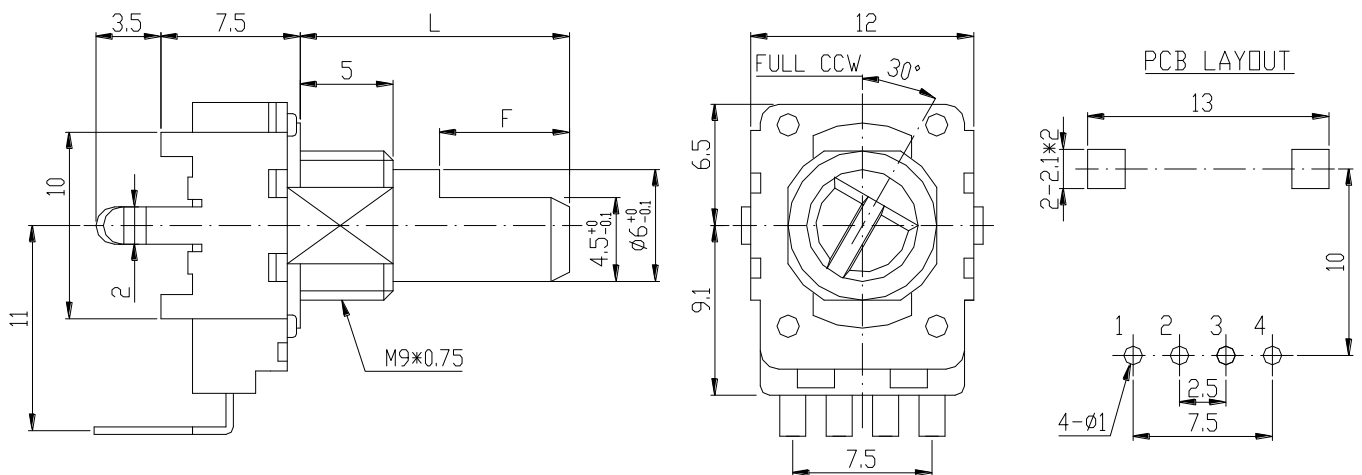
Taper

Shaft Length

Resistance value

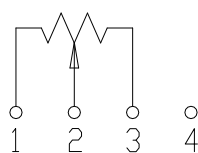
Shaft Type

Dimensions

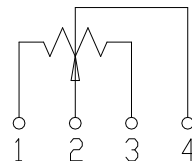


Circuit Explanation

Single Standard



Single Center TAP





11mm Snap-in Insulated Potentiometers

Shaft Type

KC Type						
L	12.5	15	17.5	20	22.5	25
A	7	7	12	12	12	12

F Type						
L	12.5	15	17.5	20	22.5	25
F	7	7	12	12	12	12

**11mm Snap-in Insulated Potentiometers****General**

Operating temperature	-10 °C ~ +70 °C
Manual soldering	300 °C Max 3sec

Electrical Characteristics

Total resistance	5KΩ ~ 500KΩ
Resistance tolerance	±20%
Resistance taper	A B C
Sliding noise	Less than 80 mV
Residual resistance	Term. 1~2 :Less than 20Ω Term. 2~3 :Less than 40Ω
Insulation resistance	More than 100MΩ at DC 500V
Rated power(W)	0.05W
Max. Operating voltage	AC 50V / DC 20V
Withstand voltage	1 Minute at AC 250 V

Mechanical Characteristics

Total rotational angle	300° ± 5°
Rotational torque	30 ~ 200 gf.cm
Shaft push-pull strength	6Kgf. Max
Rotational stopper strength	3Kgf.cm Min
Rotational life	15,000 Cycles.